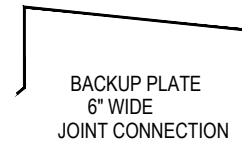
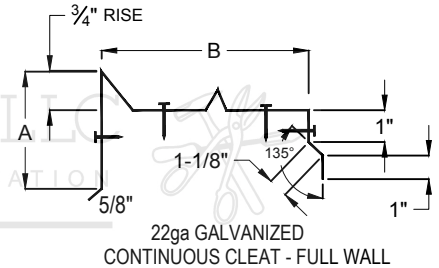
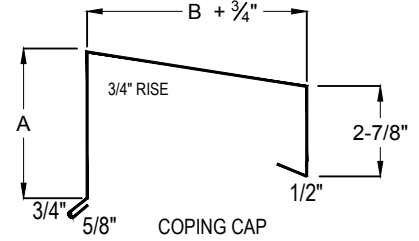
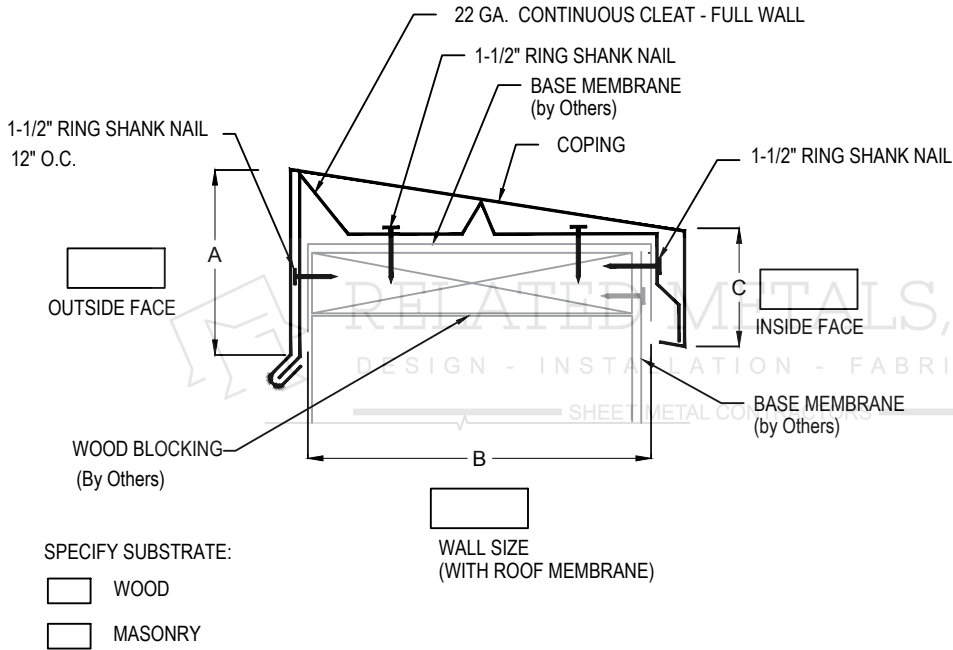




**Coping
 Full Wall Cleat
 RM-C5**

Product Submittal / Order Form



QUANTITY

- _____ Total Lineal Feet
- _____ Outside Corners
- _____ Inside Corners
- _____ Special Corners (Attach Sketches)
- _____ End Caps (_____ Left / _____ Right)
- _____ End Termination (_____ Left)
- _____ End Termination (_____ Right)

THICKNESS / MATERIAL

- 0.040 Aluminum
- 0.050 Aluminum
- 0.063 Aluminum
- 24 ga. Galvanized Steel
- 22 ga. Galvanized Steel
- _____

FINISH

- Mill Finish
- Kynar 500
- Hyperlon 500

COLOR

PROJECT

CUSTOMER: _____
JOB NAME: _____ **JOB # :** _____
LOCATION: _____
DISTRIBUTOR: _____

CUSTOMER APPROVAL

Date: _____
 Approved for Fabrication
 Approved with Changes
 Not Approved / Resubmit

Signature: _____
 Printed Name: _____

COMPLIANCE Contact Related Metals for verification of test report data for your project.

