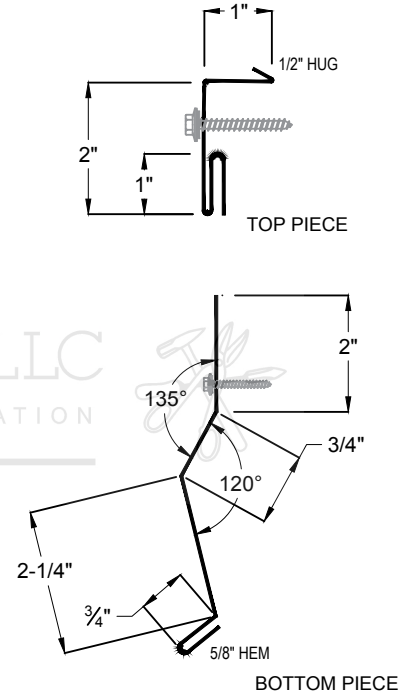
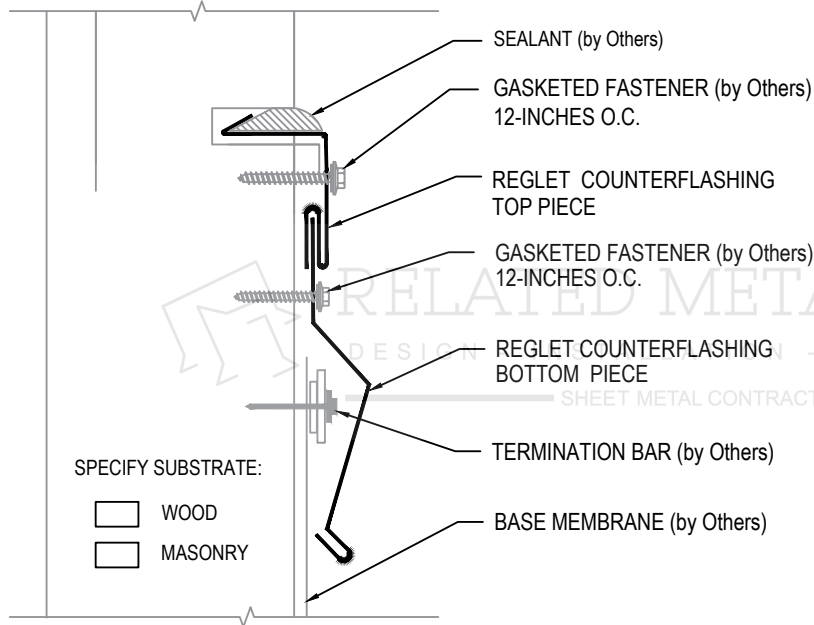




**Reglet Counterflashing - 2-Piece RM-CF4**

**Product Submittal / Order Form**



**QUANTITY**

\_\_\_\_\_ Total Lineal Feet

**THICKNESS / MATERIAL**

- 0.032 Aluminum
- 0.040 Aluminum
- 0.050 Aluminum
- 0.063 Aluminum
- 24 ga. Galvanized Steel
- 22 ga. Galvanized Steel
- 24 ga. Stainless Steel
- \_\_\_\_\_

**FINISH**

- Mill Finish
- Kynar 500
- Hyperlon 500
- Polished

**COLOR**

\_\_\_\_\_

**PROJECT**

CUSTOMER: \_\_\_\_\_

JOB NAME: \_\_\_\_\_ JOB # : \_\_\_\_\_

LOCATION: \_\_\_\_\_

DISTRIBUTOR: \_\_\_\_\_

**CUSTOMER APPROVAL**

Date: \_\_\_\_\_

Approved for Fabrication

Approved with Changes

Not Approved / Resubmit

Signature: \_\_\_\_\_

Printed Name: \_\_\_\_\_

COMPLIANCE Contact Related Metals for verification of test report data for your project.

