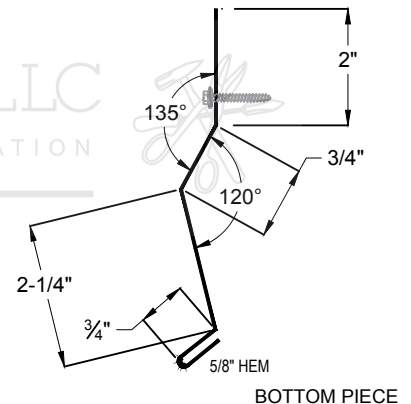
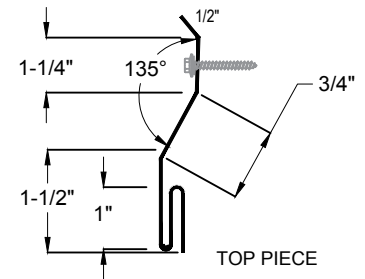
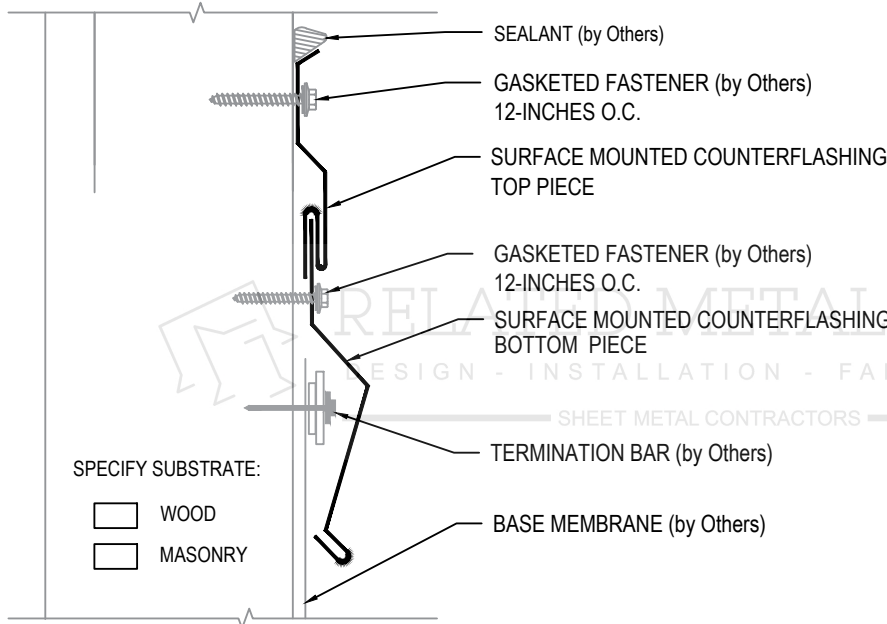




# Counterflashing 2-Piece Surface Mounted RM-CF7

## Product Submittal / Order Form



### QUANTITY

\_\_\_\_\_ Total Lineal Feet

### THICKNESS / MATERIAL

- 0.032 Aluminum
- 0.040 Aluminum
- 0.050 Aluminum
- 0.063 Aluminum
- 24 ga. Galvanized Steel
- 22 ga. Galvanized Steel
- 24 ga. Stainless Steel
- \_\_\_\_\_

### FINISH

- Mill Finish
- Kynar 500
- Hyperlon 500
- Polished

### COLOR

\_\_\_\_\_

### PROJECT

CUSTOMER: \_\_\_\_\_

JOB NAME: \_\_\_\_\_ JOB #: \_\_\_\_\_

LOCATION: \_\_\_\_\_

DISTRIBUTOR: \_\_\_\_\_

### CUSTOMER APPROVAL

Date: \_\_\_\_\_

- Approved for Fabrication
- Approved with Changes
- Not Approved / Resubmit

Signature: \_\_\_\_\_

Printed Name: \_\_\_\_\_

COMPLIANCE Contact Related Metals for verification of test report data for your project.

