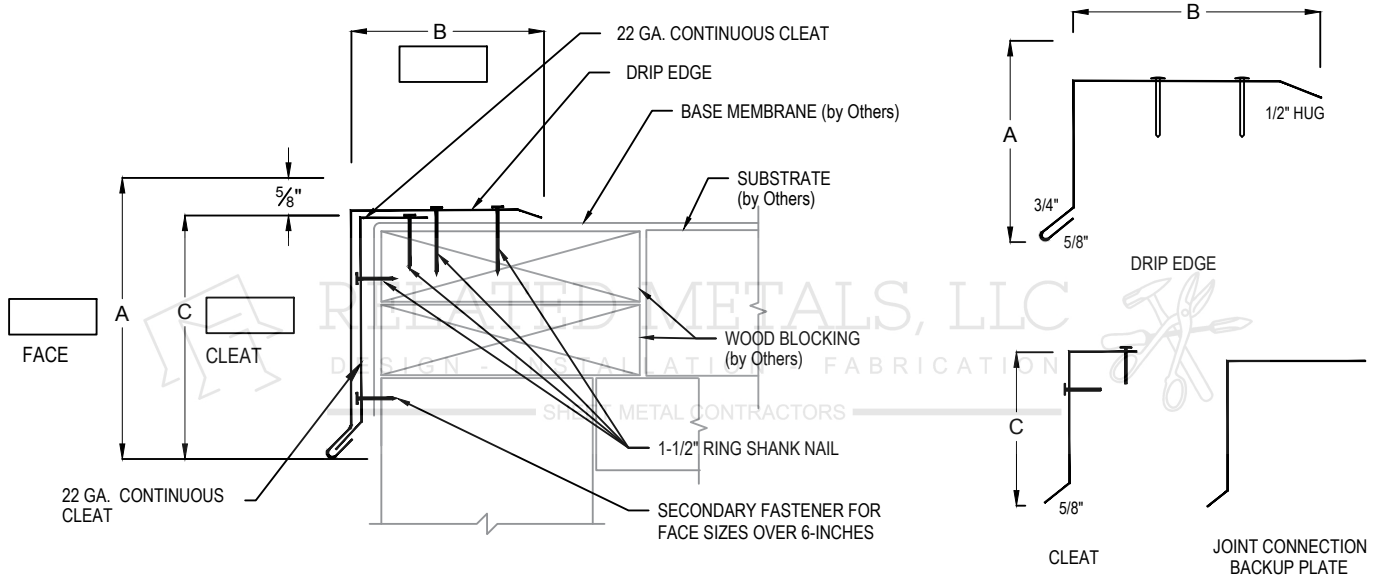




**Drip Edge  
 RM-E2**

**Product Submittal / Order Form**



**QUANTITY**

- \_\_\_\_\_ Total Lineal Feet
- \_\_\_\_\_ Outside Corners
- \_\_\_\_\_ Inside Corners
- \_\_\_\_\_ Special Corners (Attach Sketches)
- \_\_\_\_\_ End Caps ( \_\_\_\_\_ Left / \_\_\_\_\_ Right)
- \_\_\_\_\_ End Termination ( \_\_\_\_\_ Left)
- \_\_\_\_\_ End Termination ( \_\_\_\_\_ Right)

**THICKNESS / MATERIAL**

- 0.032 Aluminum
- 0.040 Aluminum
- 0.050 Aluminum
- 0.063 Aluminum
- 24 ga. Galvanized Steel
- 22 ga. Galvanized Steel
- 24 ga. Stainless Steel
- \_\_\_\_\_

**FINISH**

- Mill Finish
- Kynar 500
- Hyperlon 500
- Polished

**COLOR**

\_\_\_\_\_

**PROJECT**

**CUSTOMER:** \_\_\_\_\_

**JOB NAME:** \_\_\_\_\_ **JOB # :** \_\_\_\_\_

**LOCATION:** \_\_\_\_\_

**DISTRIBUTOR:** \_\_\_\_\_

**CUSTOMER APPROVAL**

Date: \_\_\_\_\_

Approved for Fabrication

Approved with Changes

Not Approved / Resubmit

Signature: \_\_\_\_\_

Printed Name: \_\_\_\_\_

COMPLIANCE Contact Related Metals for verification of test report data for your project.

