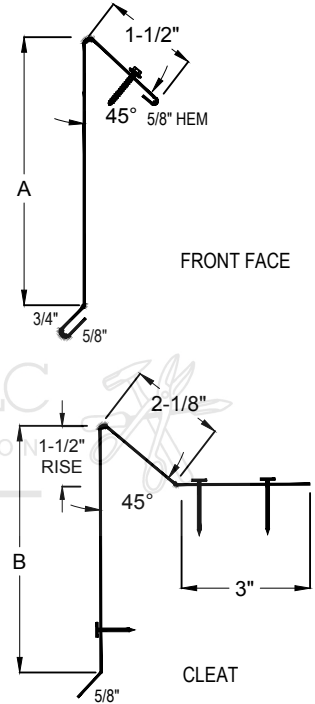
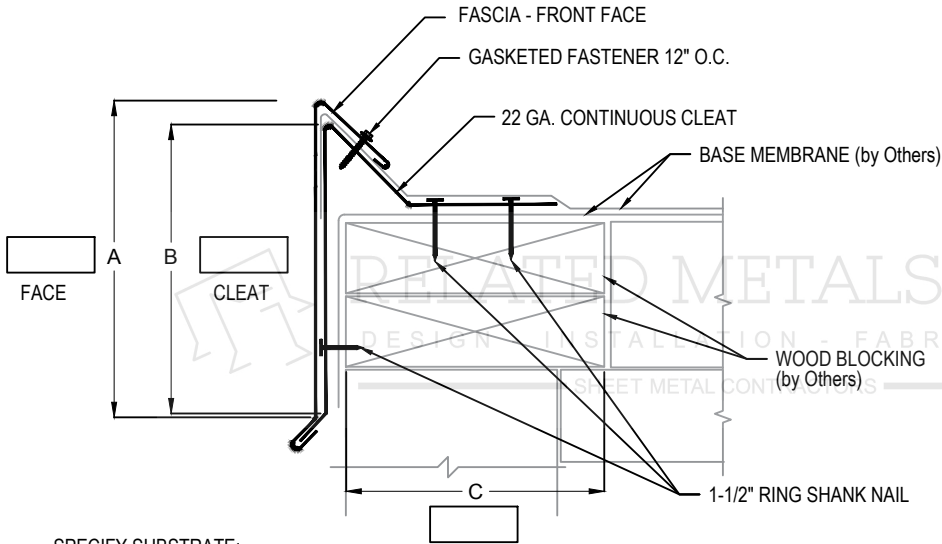




Product Submittal / Order Form



SPECIFY SUBSTRATE:

- WOOD MASONRY

QUANTITY

- _____ Total Lineal Feet
 _____ Outside Corners
 _____ Inside Corners
 _____ Special Corners (Attach Sketches)
 _____ End Caps (_____ Left / _____ Right)
 _____ End Termination (_____ Left)
 _____ End Termination (_____ Right)

THICKNESS / MATERIAL

- 0.032 Aluminum
 0.040 Aluminum
 0.050 Aluminum
 0.063 Aluminum
 24 ga. Galvanized Steel
 22 ga. Galvanized Steel
 24 ga. Stainless Steel

FINISH

- Mill Finish
 Kynar 500
 Hyperlon 500
 Polished

COLOR

PROJECT

CUSTOMER: _____
JOB NAME: _____ **JOB # :** _____
LOCATION: _____
DISTRIBUTOR: _____

CUSTOMER APPROVAL

Date: _____
 Approved for Fabrication
 Approved with Changes
 Not Approved / Resubmit

Signature: _____
 Printed Name: _____

COMPLIANCE Contact Related Metals for verification of test report data for your project.

