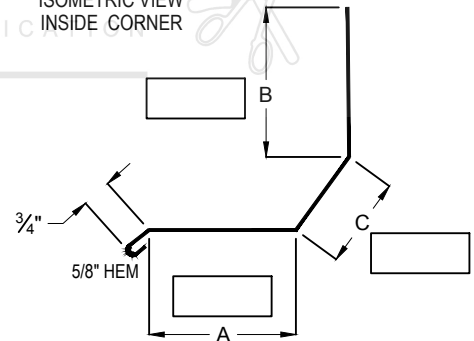
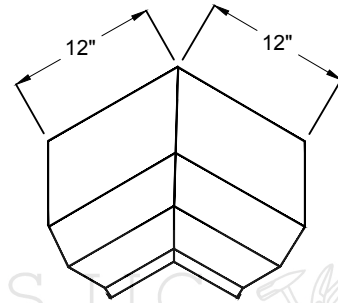
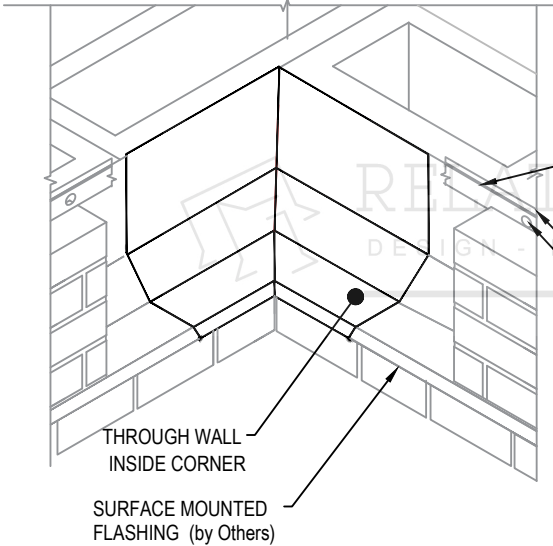




Product Submittal / Order Form



WEEP VENT INSERTS & PROTECTION NOT SHOWN FOR CLARITY.
 FLEXIBLE FLASHING NOT SHOWN FOR CLARITY.

QUANTITY

_____ Total Lineal Feet
 (10'-0" Length)

WIDTH A

- 1-1/2" 3"
 2" 3-1/2"
 2-1/2" _____

THICKNESS / MATERIAL

- 26 ga. Stainless Steel
 24 ga. Stainless Steel
 20 oz. Copper
 16 oz. Copper

FINISH

- Mill Finish

Material Conformance: Stainless Steel Type 304 & 316: ASTM A240/A240M, ASTM A666, ASTM A480/A480M, and ASTM A167 / Copper: ASTM B370 - #110 Alloy / Lead Coated Copper: ASTM B370 - #110 Alloy

Important Notice: Each construction project is unique, therefore the appropriate selection and use of any product contained herein, must be determined by competent architects, engineers, or other appropriate professionals who are familiar with the specific requirements of the project utilizing these selected products.

PROJECT

CUSTOMER: _____
JOB NAME: _____ **JOB # :** _____
LOCATION: _____
DISTRIBUTOR: _____

CUSTOMER APPROVAL

Date: _____
 Approved for Fabrication
 Approved with Changes
 Not Approved / Resubmit

Signature: _____
 Printed Name: _____

COMPLIANCE Contact Related Metals for verification of test report data for your project.

