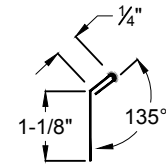
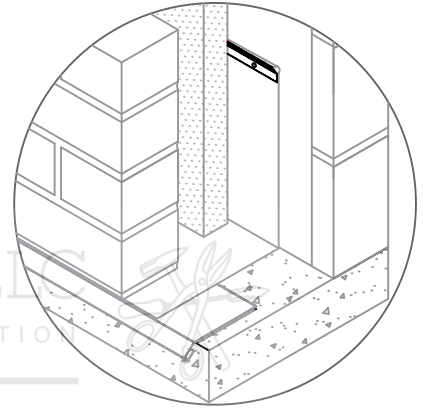
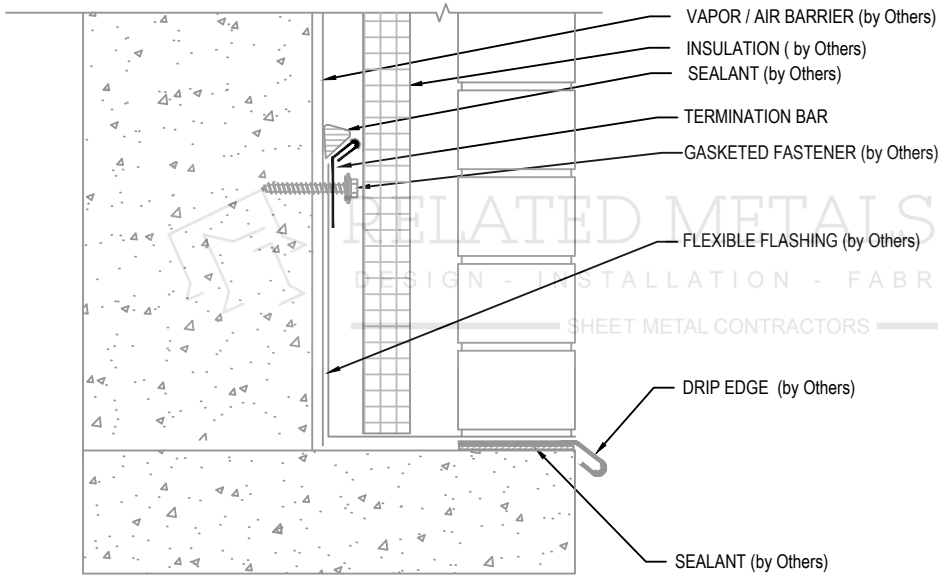




**Product Submittal / Order Form**



TERMINATION BAR

WEEP VENT INSERTS & PROTECTION NOT SHOWN FOR CLARITY.

**QUANTITY**

\_\_\_\_\_ Total Lineal Feet  
 (10'-0" Length)

**THICKNESS / MATERIAL**

26 ga. Stainless Steel  
 \_\_\_\_\_

**FINISH**

Mill Finish  
 \_\_\_\_\_

1/4-inch holes spaced 8-inches O.C.

**Material Conformance:** Stainless Steel Type 304 & 316: ASTM A240/A240M, ASTM A666, ASTM A480/A480M, and ASTM A167

**Important Notice:** Each construction project is unique, therefore the appropriate selection and use of any product contained herein, must be determined by competent architects, engineers, or other appropriate professionals who are familiar with the specific requirements of the project utilizing these selected products.

**PROJECT**

**CUSTOMER:** \_\_\_\_\_  
**JOB NAME:** \_\_\_\_\_ **JOB # :** \_\_\_\_\_  
**LOCATION:** \_\_\_\_\_  
**DISTRIBUTOR:** \_\_\_\_\_

**CUSTOMER APPROVAL**

Date: \_\_\_\_\_

- Approved for Fabrication
- Approved with Changes
- Not Approved / Resubmit

Signature: \_\_\_\_\_

Printed Name: \_\_\_\_\_

COMPLIANCE Contact Related Metals for verification of test report data for your project.

