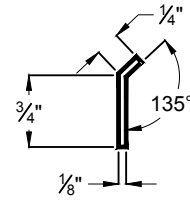
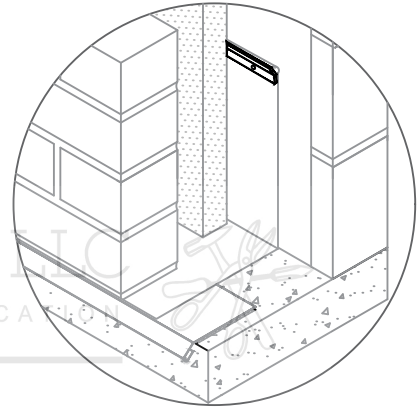
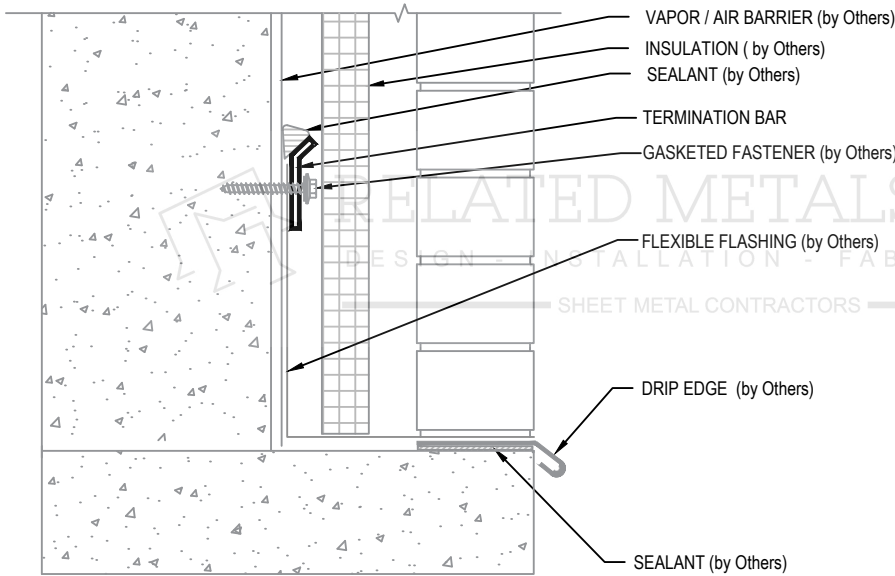




**Masonry Flashing
 Termination Bar - 14 GA.
 RM-MCF16**

Product Submittal / Order Form



TERMINATION BAR

WEEP VENT INSERTS & PROTECTION NOT SHOWN FOR CLARITY.

QUANTITY

_____ Total Lineal Feet
 (10'-0" Length)

THICKNESS / MATERIAL

14 ga. Aluminum

FINISH

Mill Finish

1/4-inch holes spaced 8-inches O.C.

<p>Material Conformance: <u>AA6063 Aluminum -T6</u></p>	<p><small>Important Notice: Each construction project is unique, therefore the appropriate selection and use of any product contained herein, must be determined by competent architects, engineers, or other appropriate professionals who are familiar with the specific requirements of the project utilizing these selected products.</small></p>
<p>PROJECT</p> <p>CUSTOMER: _____</p> <p>JOB NAME: _____ JOB # : _____</p> <p>LOCATION: _____</p> <p>DISTRIBUTOR: _____</p>	<p>CUSTOMER APPROVAL</p> <p>Date: _____</p> <p><input type="checkbox"/> Approved for Fabrication</p> <p><input type="checkbox"/> Approved with Changes</p> <p><input type="checkbox"/> Not Approved / Resubmit</p>
<p>COMPLIANCE Contact Related Metals for verification of test report data for your project.</p> <div style="display: flex; justify-content: space-around; align-items: center;"> </div>	<p>Signature: _____</p> <p>Printed Name: _____</p>