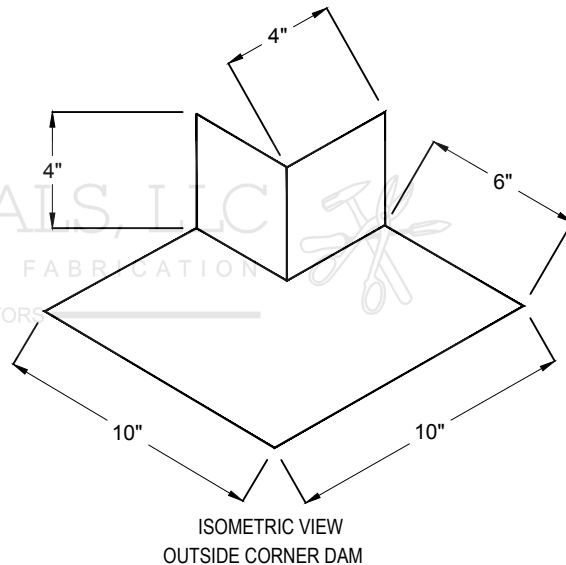
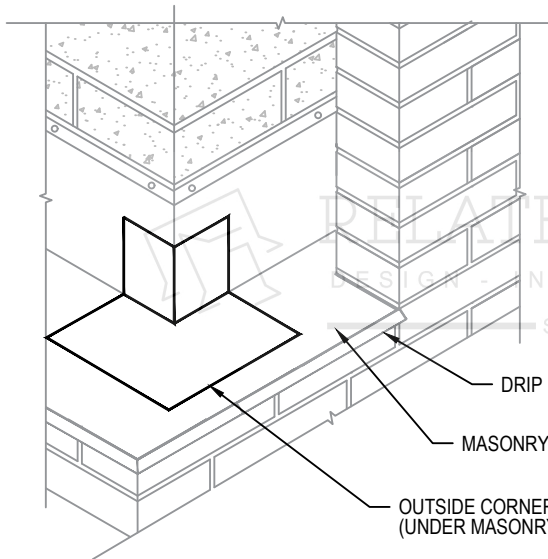




**Masonry Flashing
 Corner Dam - Outside
 RM-MCF18**

Product Submittal / Order Form



WEEP VENT INSERTS & PROTECTION NOT SHOWN FOR CLARITY.
 TERMINATION BAR, END DAM AND MASONRY FLASHING
 INSTALLED OVER CORNER DAM, NOT SHOWN FOR CLARITY.

QUANTITY


_____ Total Each
 (Packaged 25 pcs. per box)

THICKNESS / MATERIAL

26 ga. Stainless Steel

FINISH

Mill Finish

| | |
|---|--|
| <p>Material Conformance: Stainless Steel Type 304 & 316: ASTM A240/A240M, ASTM A666, ASTM A480/A480M, and ASTM A167 / Copper: ASTM B370 - #110 Alloy / Lead Coated Copper: ASTM B370 - #110 Alloy</p> | <p>Important Notice: Each construction project is unique, therefore the appropriate selection and use of any product contained herein, must be determined by competent architects, engineers, or other appropriate professionals who are familiar with the specific requirements of the project utilizing these selected products.</p> |
| <p>PROJECT</p> <p>CUSTOMER: _____</p> <p>JOB NAME: _____ JOB #: _____</p> <p>LOCATION: _____</p> <p>DISTRIBUTOR: _____</p> | <p>CUSTOMER APPROVAL</p> <p>Date: _____</p> <p><input type="checkbox"/> Approved for Fabrication <input type="checkbox"/> Approved with Changes <input type="checkbox"/> Not Approved / Resubmit</p> <p>Signature: _____</p> <p>Printed Name: _____</p> |
| <p>COMPLIANCE Contact Related Metals for verification of test report data for your project.</p>  | |