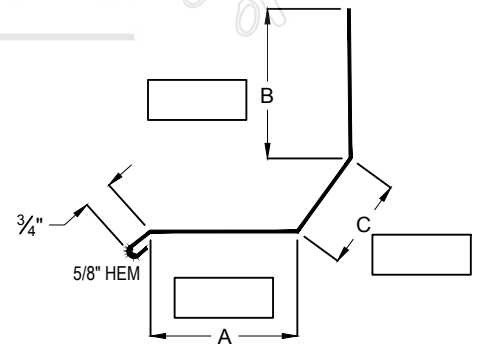
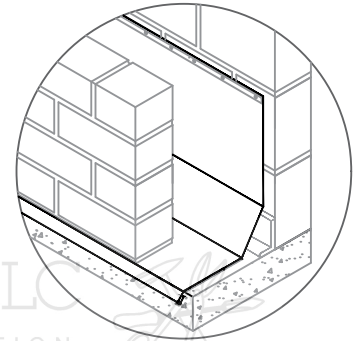
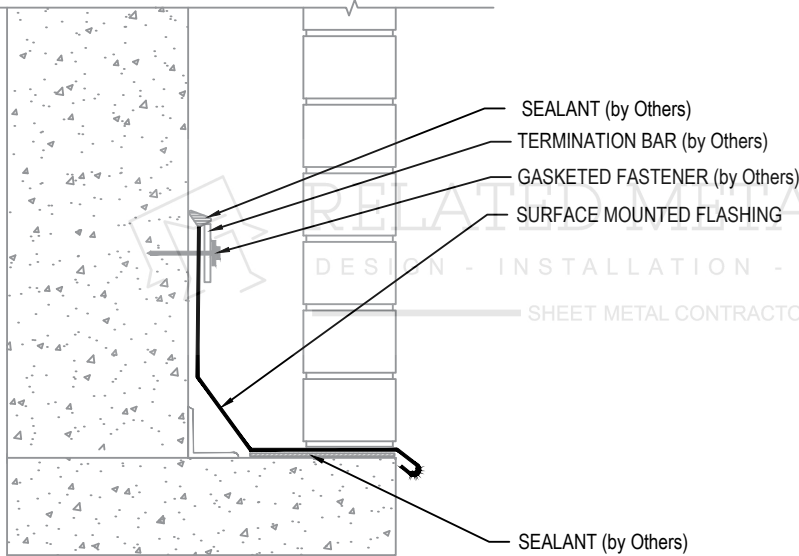




**Masonry Flashing**  
**Surface Mounted**  
**RM-MCF7**

**Product Submittal / Order Form**



VAPOR BARRIER & INSULATION NOT SHOWN CLARITY.  
 WEEP VENT INSERTS & PROTECTION NOT SHOWN FOR CLARITY.

**QUANTITY**

\_\_\_\_\_ Total Lineal Feet  
 (10'-0" Length)

**WIDTH A**

- 1-1/2"       3"
- 2"             3-1/2"
- 2-1/2"        \_\_\_\_\_

**THICKNESS / MATERIAL**

- 26 ga. Stainless Steel
- 24 ga. Stainless Steel
- 20 oz. Copper
- 16 oz. Copper
- \_\_\_\_\_

**FINISH**

- Mill Finish
- \_\_\_\_\_

**Material Conformance:** Stainless Steel Type 304 & 316: ASTM A240/A240M, ASTM A666, ASTM A480/A480M, and ASTM A167 / Copper: ASTM B370 - #110 Alloy / Lead Coated Copper: ASTM B370 - #110 Alloy

**Important Notice:** Each construction project is unique, therefore the appropriate selection and use of any product contained herein, must be determined by competent architects, engineers, or other appropriate professionals who are familiar with the specific requirements of the project utilizing these selected products.

**PROJECT**

**CUSTOMER:** \_\_\_\_\_  
**JOB NAME:** \_\_\_\_\_ **JOB # :** \_\_\_\_\_  
**LOCATION:** \_\_\_\_\_  
**DISTRIBUTOR:** \_\_\_\_\_

**CUSTOMER APPROVAL**

Date: \_\_\_\_\_  
 Approved for Fabrication  
 Approved with Changes  
 Not Approved / Resubmit

**COMPLIANCE** Contact Related Metals for verification of test report data for your project.



Signature: \_\_\_\_\_  
 Printed Name: \_\_\_\_\_